

GB

# INSTALLATION AND INSTRUCTION MANUAL NARVI-ULTRA AND NARVI-ULTRA PLUS

## ELECTRIC SAUNA STOVES N9, N10.5, N12, N15

### 1. ONE ELECTRIC SAUNA STOVE PACKAGE COMPRISES:

1. Stove
2. Fixing screws
3. Installation and instruction manual

### 2. PRIOR TO INSTALLATION:

Perform the following checks:

- The stove is the right size (kW) for the size of the sauna (m<sup>3</sup>).
- Table 1 shows the sauna volumes for different stove types.
- For every 1 m<sup>2</sup> of uninsulated brick, tile or glass wall surface in the sauna, increase the sauna volume by 1.5 m<sup>3</sup> when choosing the required stove wattage from Table 1.

**The sauna volumes indicated in Table 1 are both maximum and minimum values.**

- Table 1 indicates both the minimum height of the sauna and the minimum safety distances for the stove.
- The stove can also be installed in a wall recess, provided the safety distances indicated in Table 1 are observed.

ONLY ONE ELECTRIC STOVE TO BE INSTALLED IN A SAUNA.

Table 1. Installation data for N stoves

Stove type	Wattage kW	Sauna			Minimum safety distances for stove					Amount of stones kg	Connection*)	
		Volume		Height min cm	Sides	Front	Front	From ceiling	From floor		400V 3N mm <sup>2</sup>	Fuses A
		min m <sup>3</sup>	max m <sup>3</sup>		A **) cm	B **) cm	C **) cm	D **) cm	E **) cm			
N 9	9	8	12	210	12	10	15	140	68	50	5x2,5	3x16
N 10,5	10.5	9	15	210	12	10	15	140	68	50	5x2,5	3x20
N 12	12	10	18	210	16	10	15	140	68	50	5x4	3x20
N 15	15	14	24	210	16	10	15	140	68	50	5x6	3x25

\*\*) See Fig. 1

\*) Use a rubber sheathed connection cable of type H07RN-F or corresponding

### 3. INSTALLATION:

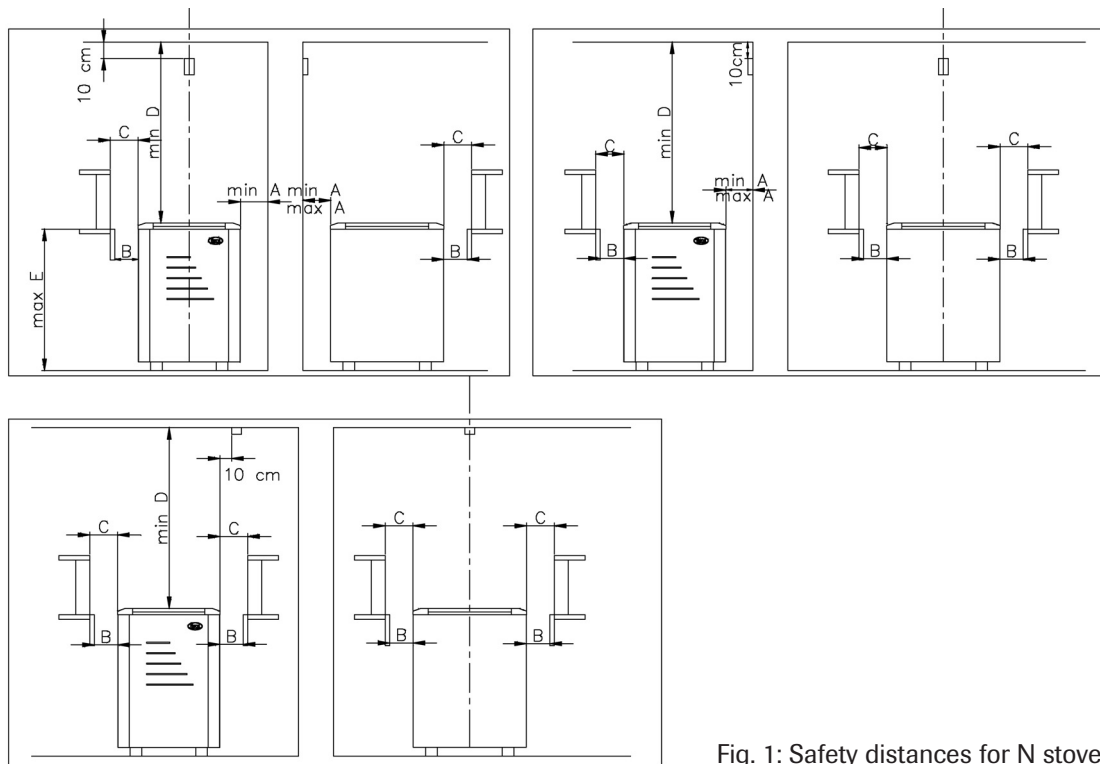


Fig. 1: Safety distances for N stoves

#### 3.1 INSTALLATION OF STOVE

- Fix two of the stove's feet to the floor.
- Observe the safety distances (Fig. 1) when installing the stove.
- Electrical connection of the stove may only be carried out by a qualified electrician in compliance with valid regulations.
- The connection cable shall be a rubber sheathed cable of type H07RN-F or corresponding.  
Cable size and fuse rating as indicated in Table 1.
- The size of the wiring running from the stove to the heat control and to the signal lights shall correspond to the size of the connection cable.

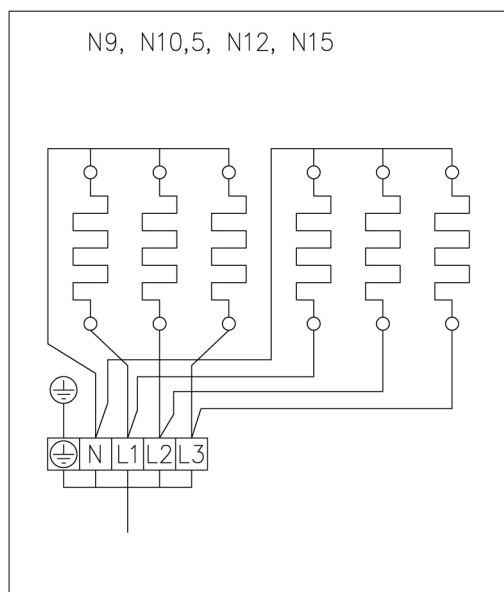


Fig. 2: Connection diagram

#### 4. LOADING OF STONES:

- When loading the stones, make sure they do not bend the resistors or obstruct sufficient circulation of air.
- Do not load the stones too tightly. Over-filling of the stone compartment will cause overheating of the resistors (= shorter service life) and slower heating up of the sauna.
- Suitable stones for the stove are 4-7 cm in diameter.
- The stones shall cover the heating resistors completely.

**AN UNDER-FILLED STONE COMPARTMENT WILL CAUSE A FIRE HAZARD!**

**ALWAYS CHECK THE SAUNA BEFORE SWITCHING ON THE STOVE.**

#### 5. VENTILATION IN THE SAUNA:

- The ventilation in the sauna should be as efficient as possible in order to ensure a sufficient oxygen level and freshness of air. We recommend that the fresh air intake is located near the stove (but not closer than 50 cm).
- The fresh air intake shall be equipped with an adjustable valve.
- The exhaust valve shall be at least twice the size of the fresh air intake. The exhaust valve can be installed on the opposite wall, at least 20 cm higher than the fresh air intake.

#### 6. CONSTRUCTION OF SAUNA:

- The sauna shall be well heat insulated, particularly the ceiling, where most of the steam rises. Due to the high level of humidity, the heat insulation should be covered with moisture-proof material, such as aluminium paper. Wood should always be used for cladding.

#### 7. SPARE PARTS:

