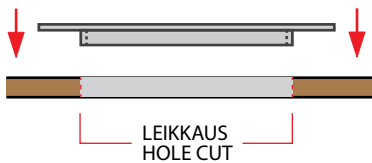
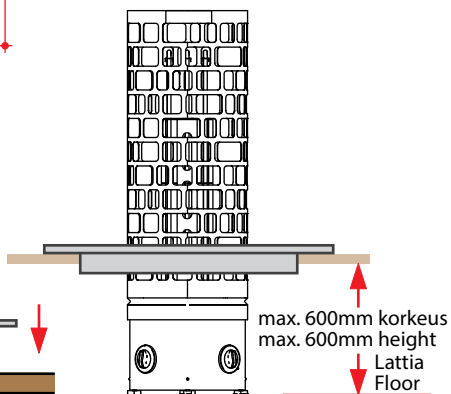
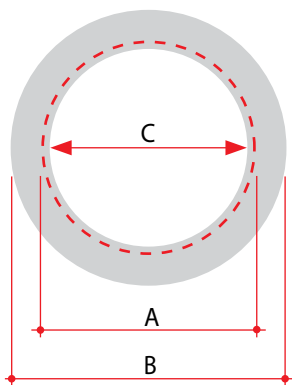


TERÄKSINEN UPOTUSKAULUS

ROUND ARIES MALLILLE

STAINLESS INTEGRATION COLLAR

ROUND ARIES HEATER



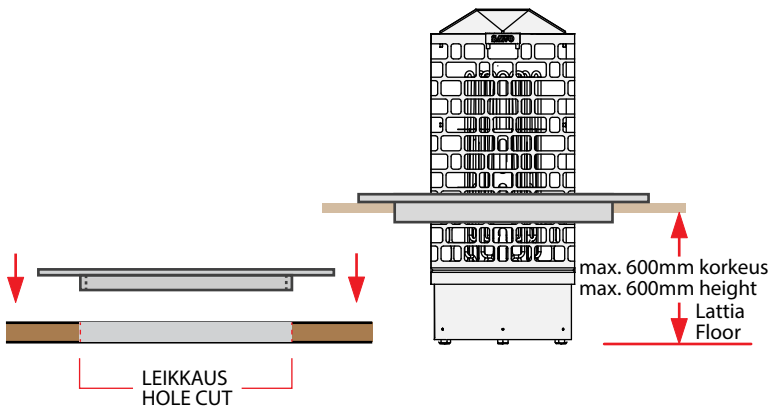
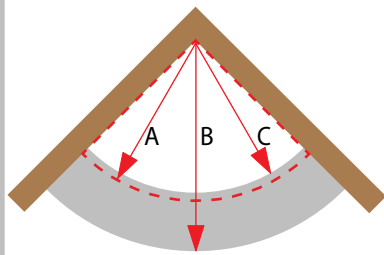
MALLI MODEL	MITAT(mm) DIMENSION			TORNIKIUKAAT TOWER HEATERS
	A (Leikkaus) (cut)	B	C	
TH-COLLAR-ST4	390	540	360	ARI3-45NB ARI3-45NS ARI3-60NB ARI3-60NS ARI3-75NB ARI3-75NS ARI3-90NB ARI3-90NS
TH-COLLAR-ST9	570	720	540	ARI6-90NB ARI6-120NS ARI6-90NS ARI6-150NS ARI6-105NS ARI6-180NS

TERÄKSINEN UPOTUSKAULUS

CORNER ARIES KULMAMALLI

STAINLESS INTEGRATION COLLAR

CORNER ARIES HEATER



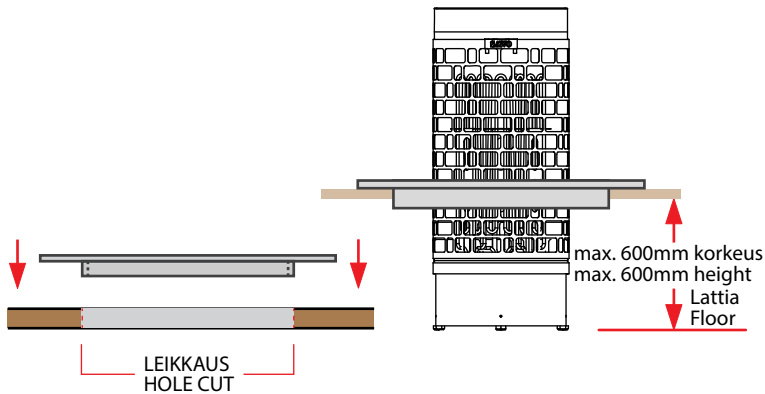
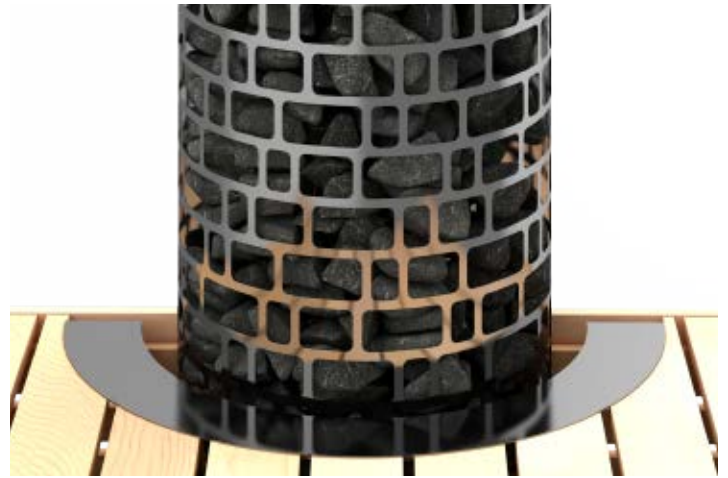
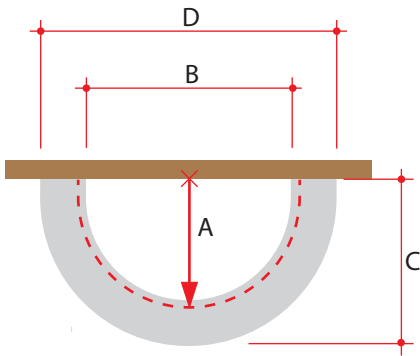
MALLI MODEL	MITAT(mm) DIMENSION			TORNIKIUKAAT TOWER HEATERS
	A ^(Leikkaus) (cut)	B	C	
TH-COLLAR-ST4-CNR	405	476	386	ARI3-45NB-CNR ARI3-45NS-CNR ARI3-60NB-CNR ARI3-60NS-CNR ARI3-75NB-CNR ARI3-75NS-CNR ARI3-90NB-CNR ARI3-90NS-CNR

TERÄKSINEN UPOTUSKAULUS

WALL ARIES SEINÄMALLI

STAINLESS INTEGRATION COLLAR

WALL ARIES HEATER



MALLI MODEL	MITAT(mm) DIMENSION				TORNIKIUKAAT TOWER HEATERS
	A (Leikkaus) (cut)	B	C	D	
TH-COLLAR-ST4-WL	295	520	378	700	ARI3-45NB-WL ARI3-45NS-WL ARI3-60NB-WL ARI3-60NS-WL ARI3-75NB-WL ARI3-75NS-WL ARI3-90NB-WL ARI3-90NS-WL