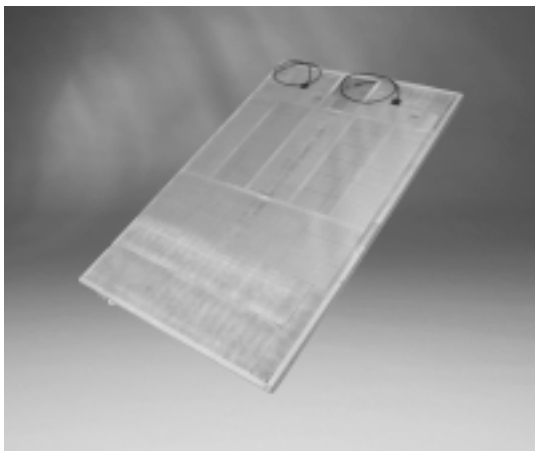


emotion of sauna.



**Assembly instructions and
instructions for use**

Infrared Heating Foils



GB



MADE IN GERMANY

Druck Nr. 29343125en/ 50.06





Important notes:

The heating foils pose a fire hazard when not installed properly. Please read these installation instructions thoroughly. Pay particular attention to the dimensions specified and the following instructions:

- The infrared heating foils are designed for connection to 230 V 50 Hz over an infrared control unit.
- Install and connect the infrared control unit according to the connection schematic.
- Before putting the foils into operation with the control unit, ensure that all plug connectors are connected so they cannot loosen.
- Observe regulations in EU 60335-2-53 (VDE 0700 Part 53) inside the infrared booth.
- Install only the number of heating foils in the infrared heat booth specified for the booth size.
- Use one of the control units specified below for control of the infrared radiators. Install this control unit on the infrared heat booth as specified in the installation instructions for the control unit.
- Install the heating foils in the booth to achieve uniform heat radiation all around for the person in the booth.
- The infrared heating foils are not suitable for installation in the booth ceiling and should not be installed there.
- Note that the energy is output primarily in the form of infrared radiation.
- The infrared heating foils are equipped with a silicone connection cable with three-pin plug. Connect this plug to a free outlet on the connector for the IR control unit.

When connecting ensure that the circuit breaker is secured against unintentional actuation.

- On a standard basis five infrared heating foils can be connected to this plug-in distribution. Do not exceed the maximum power of 3500 W.

It is most practical to attach the plug connector to the ceiling of the booth.

- Never cut open heating foils open or in two. Operate only in the fixed dimensions available.
- This device has not been designed for being used by persons (including children) that are physically or mentally handicapped or have sensory disabilities. Moreover, it is not allowed to use this device without sufficient experience and/or knowledge, unless these persons will be supervised by persons responsible for their security or in case they have been instructed how to use this device.
- Children are to be supervised in order to make sure that they do not play with this device.



Caution!

If you suffer from any type of skin disease or notice any changes consult a physician under all circumstances.

Design and installation of IR foils (heating mats):

Polyester foil / Polyester foil with aluminum heating element, heavy-metal free, excessive temperature thermostat at upper end of foil in silicone housing

Switch-off point = 120 °C

Switch-on point = 110 °C

40 mm wide edge without heating filaments all the way around for fastening foil.

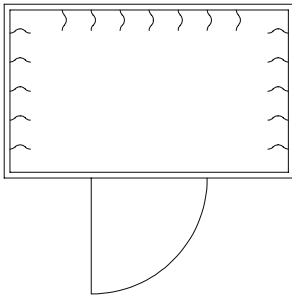


Caution!

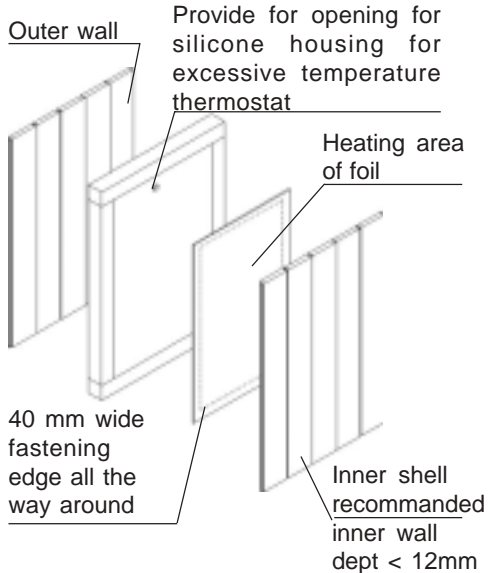
The IR heating foils are intended only for installation in the infrared heat booth and should be operated only in combination with a control unit.

Any other type of use invalidates the guarantee.

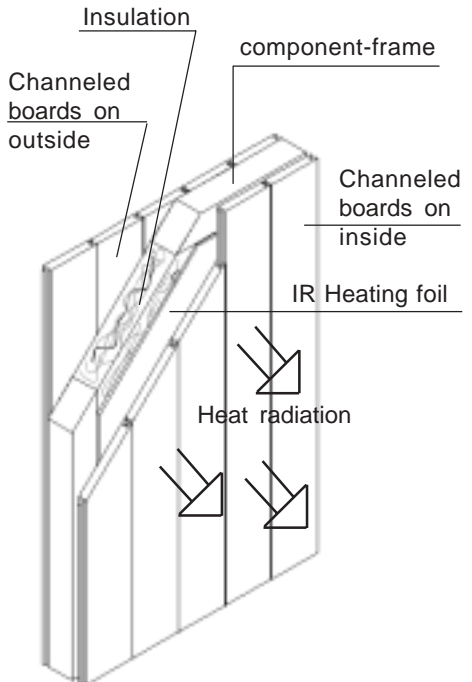
Example of arrangement



Layout



Operating principle





Caution! Never drive fastening elements (staples, pins, nails or screws) through the aluminum heating filaments

If the heating filament is interrupted, the heating foil no longer heats up!

When installing the silicone housing always ensure that the protective thermostat points up.

Never screw in screws in the area of the heating foils during final installation.

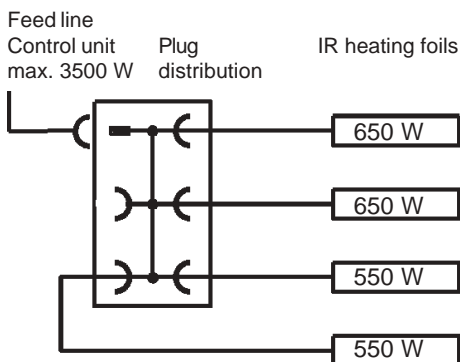
Electrical connection

Take appropriate measures for pull relief on the feed lines for the foils (cable clamps). Plug the connection plugs for the IR heating foils into the distribution block on the control unit.



Caution! Observe maximum switching power for control unit.

Possible connection schematic



When installing route the connection leads through the empty conduit or take other suitable measures to prevent damage.

Use the control unit 60 IR, 48 IR or EMOTEC HIC75.

Start-up

Start up with the associated control unit.

Note that this heating system has a certain "time delay". It is first necessary for the foils to heat up the channeled boards in front, before they can radiate heat into the booth. It is quite possible for the temperature at the surface of the wood on the inside of the booth to be higher than the room temperature inside the booth.

The primary effect of the infrared heat booth is its capability of radiating (infrared) heat to humans; the heat resulting in the room is a secondary, ancillary effect, which is, however, experienced as pleasant and does not have any negative effect on the treatment.

Please observe, that the IR heat booth is not a sauna with typical hot / cold treatments and that the temperatures present in a sauna cannot be achieved!

Technical data:

Voltage: 230 V 50Hz

Type 1 Art.No.: 94 3742
Output: 650 W
Dimensions foil: 1700 x 800 mm
Dimensions heating surface: 1620 x 720 mm

Type 2 Art.No.: 94 3743
Output: 550 W
Dimensions foil: 1450 x 800 mm
Dimensions heating surface: 1370 x 720 mm

Type 3 Art.No.: 94 3744
Output: 450 W
Dimensions foil: 1600 x 600 mm
Dimensions heating surface: 1520 x 520 mm

Type 4 Art.No.: 94 3745
Output: 350 W
Dimensions foil: 1250 x 600 mm
Dimensions heating surface: 1170 x 520 mm

Type 5 Art.No.: 94 3835
Output: 275 W
Dimensions foil: 1600 x 400 mm
Dimensions heating surface: 1520 x 320 mm

Type 6 Art.No.: 94 3891
Output: 90 W
Dimensions foil: 600 x 300 mm
Dimensions heating surface: 520 x 220 mm

Service address:
EOS-Werke Günther GmbH
Adolf-Weiß-Straße 43
35759 Driedorf, Germany
Tel. +49 (0)2775 82-240
Fax +49 (0)2775 82-455
servicecenter@eos-werke.de
www.eos-werke.de

Guarantee

The guarantee is taken over according to the legal regulations at present.

Manufacturer's warranty

- The period of warranty starts from the date of purchase and lasts up to 2 years for commercial use and 3 years for private use.
- Always include the completed warranty certificate when returning equipment.
- The warranty expires for appliances which have been modified without manufacturer's explicit agreement.
- Damages caused by incorrect operation or handling through non-authorized persons are not covered under the terms of warranty.
- In the event of a claim, please indicate the serial number as well as the article code number and type name with expressive description of the fault.
- This warranty covers damaged parts but no defects due to wear and tear.

In case of complaint please return the equipment in its original packaging or other suitable packaging (caution: danger of transport damage) to our service department.

Always include the completed warranty certificate when returning equipment.

Possible shipping costs arising from the transport to and from point of repair cannot be borne by us. Outside of Germany please contact your specialist dealer in case of warranty claims. Direct warranty processing with our service department is in this case not possible.

Equipment start-up date:

Stamp and signature of the authorized electrician: