



TAIVE®
BASIC COLLECTION



The background of the advertisement is a photograph of a sauna interior. It features a wooden bench in the foreground and a dark, rectangular opening in the wall, possibly a window or a doorway. The lighting is soft and warm, creating a relaxing atmosphere.

TAIVE®

SAUNA IN A NEW LIGHT

Sauna is a space for profound experiences;
a place in which to spend time, relaxing.
Bathing in a sauna delivers holistic enjoyment.



TAIVE®

TAIVE® sauna product line provides complete solutions for sauna interiors. Its smooth, elegant design creates a harmonious atmosphere in your sauna as well as other interiors in your spa. In addition, thoughtfully designed CARIITTI lighting solutions emphasize the surfaces and shapes of the materials. TAIVE® interior is a timeless, long-lasting design solution that will create unforgettable sauna experiences for you and your guests.



RESPECTING HISTORY

The first Finnish saunas were built thousands of years ago. Today, there are roughly 3.2 million saunas in Finland. Bathing in a sauna is part of every Finn's daily life as well as a shared tradition during the holidays and other special celebrations. This tradition has been

passed on from generation to generation through these experiences. It is a significant and well-known part of the Finnish cultural heritage that has remained nearly unchanged in the midst of social and technological changes.



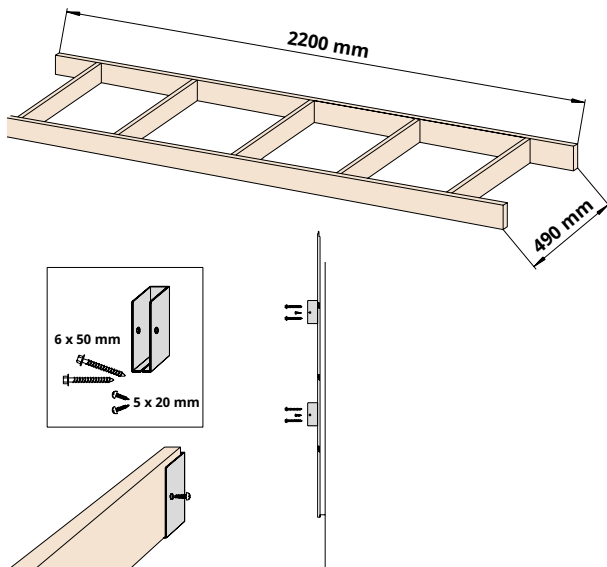


STANDARD UNITS WITHOUT SURFACE TREATMENT



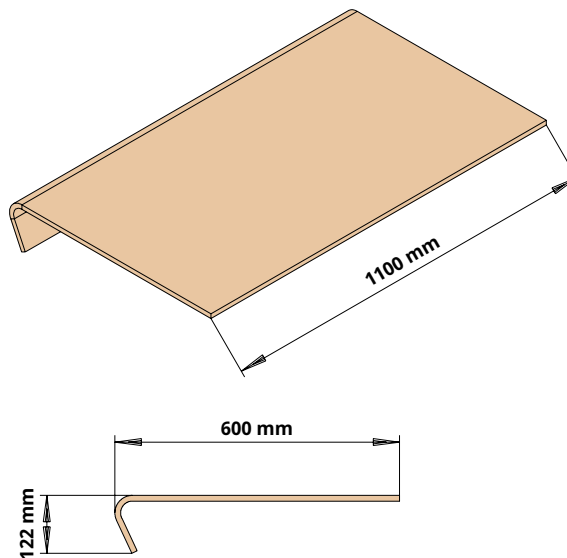
BENCH FRAME UNIT

Made of 20 mm thick birch plywood. The frame unit is delivered disassembled. The assembly is easy and quick to do. The unit includes 4 brackets with screws.



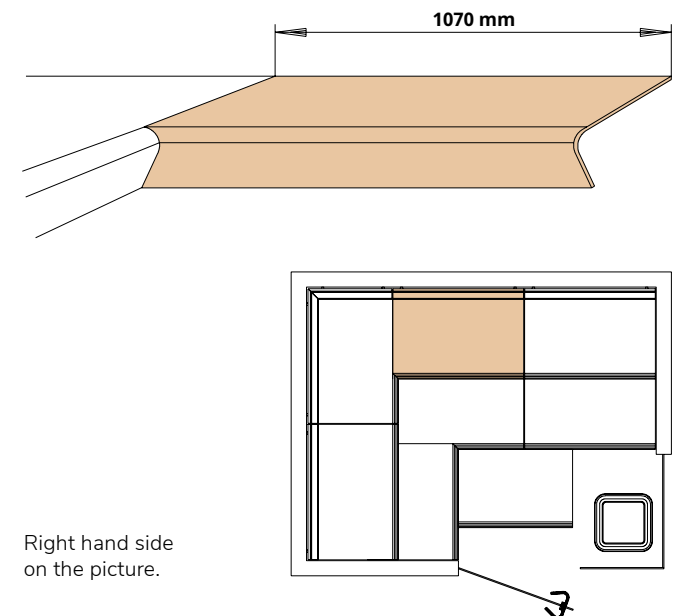
SITTING BENCH UNIT

To be installed directly on TAIVE® bench frame unit. Made of birch plywood with European Oak top veneer.



BENCH CORNER UNIT, RIGHT OR LEFT

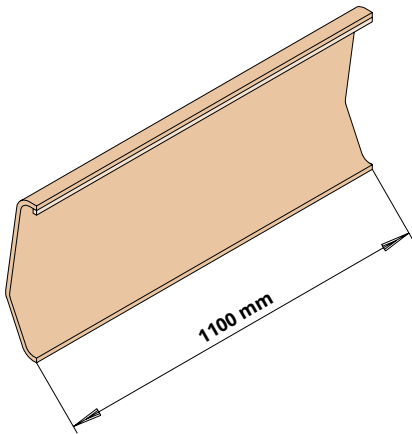
Ready made corner element, which fits directly to the bench unit. Both right and left side options.





BACKREST UNIT

Ready made backrest element. The set includes all necessary assembly accessories and brackets for the backrest. There is space for CARIITTI Sauna Linear light on the backrest brackets.



Corner support, 4 pcs
30 x 30 x 15 mm



Screws, 16 pcs
3 x 12 mm

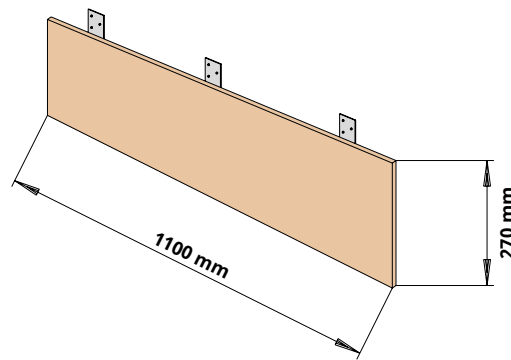


Wall bracket, 2 pcs



COVER PANEL

To cover the space between the upper and lower benches and to prevent objects from falling under the benches.



WALL PANELS

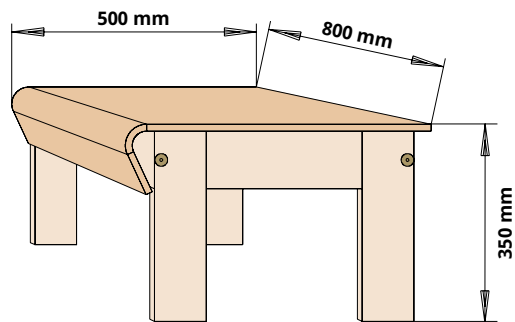
Visible surface of the panel is 2400 x 280 mm and thickness 10 mm. All four sides are tongued. Made of birch plywood with European Oak top veneer. The panel is specially designed to be used in a sauna, but it is applicable also in other interiors.





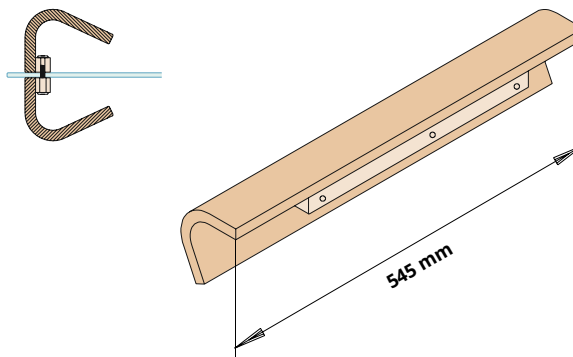
SAUNA STEP

Standard one step model, size 800x500x350 mm. Made of birch plywood with European Oak top veneer.



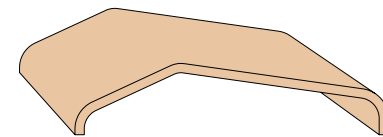
DOOR HANDLE

The same design as the front edge of the bench. Length is 545 mm. Fastening in the middle. Made of birch plywood with European Oak top veneer.



HEADREST

The same profile as the backrest. Size 300 x 300 x 70 mm. Made of birch plywood with European Oak top veneer.





MAINTENANCE

TAIVE® benches are designed to be mounted to the sauna walls without legs. The units of the upper and lower benches and backrest can be easily removed for cleaning and maintenance. Noise-cancelling sili-

cone bumpers ensure air flow and moisture dispersion between the seat and the frame. In case there is any surface roughness on the new surface, it can be gently sandpapered.



The bench units can be removed, only the frame remains. It makes the cleaning easy.



The construction of the bench brackets prevents any creaks.

SURFACE TREATMENT TAILORED TO YOUR NEEDS

The standard TAIVE® units are delivered without any surface treatment. However, we recommend treatment with sauna wax, which protects the wood from moisture and dirt, making cleaning your sauna easier. Surface treatment can be repeated at least twice a year depending on the use of the sauna and recommendation of the sauna wax manufacturer.

Below are five colors of Tikkurila's Supi Sauna Wax, used by Cariitti:



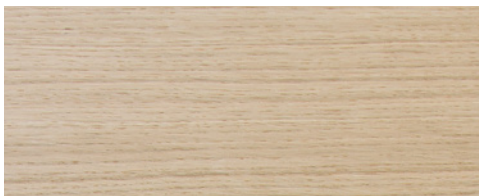
KUURA

An opaque white sauna wax



TUOHI

An opaque grey sauna wax



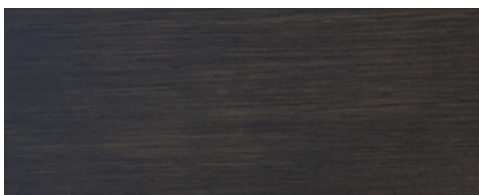
TAMMI

A colourless sauna wax



KAARNA

An opaque brown sauna wax



NOKI

An opaque black sauna wax



We recommend to spread sauna wax with a sponge for an even end result. Dust has to be removed from the surface before wax treatment, for example using a soft brush.

Sauna wax treatment is applied by hand, and minor variation in color may occur due to natural variation in wood grain.



The collection is made of Finnish birch plywood lined with European Oak veneer.

All adhesive binding is made with weatherproof D4 glue with emission class M1. The structure guarantees very high stress strength and low deformation.



High quality is the key factor in all CARIITTI products.

The products are manufactured in the carpenter's workshop in Espoo, Finland, using Finnish materials. The carbon footprint of the products is small.

All CARIITTI products have been granted the Key Flag symbol as a proof of the Finnish origin.

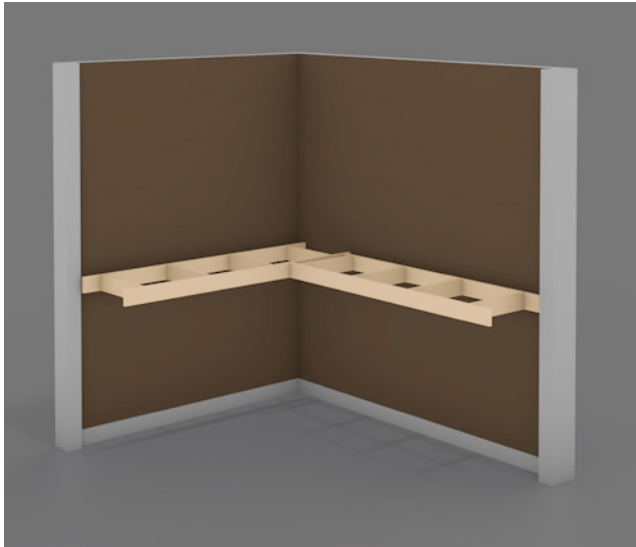


▲ There is a space for CARIITTI Sauna Linear lights in the wall brackets of the backrest.

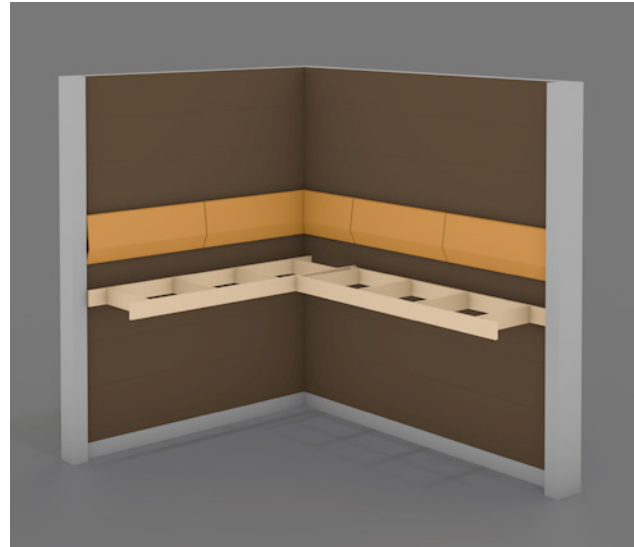
◀ In the picture: 2 pcs CARIITTI Sauna Linear LED 2M lights (1516661) behind the backrest, and one under the sitting bench to light the lower bench. CARIITTI Sauna Linear Glass (1545844), illuminated by the glass fibre set VPAC-1527-N221 (1516707) in the ceiling.

When the cover panel is used, CARIITTI Sauna Linear light can be installed on the front surface of the upper frame unit.

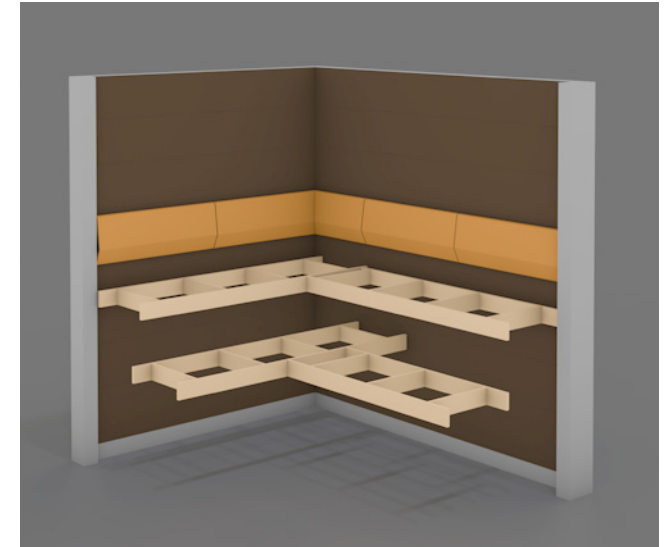
TAIVE® BENCH SAMPLE INSTALLATION:



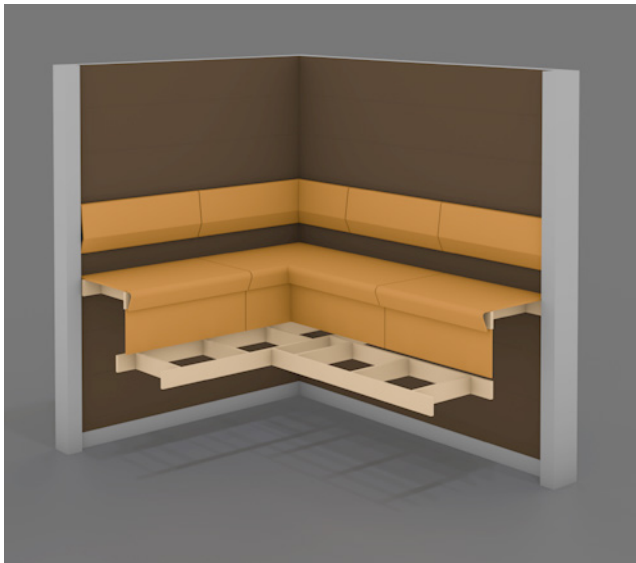
1. Bench frame unit 2 x 1603100



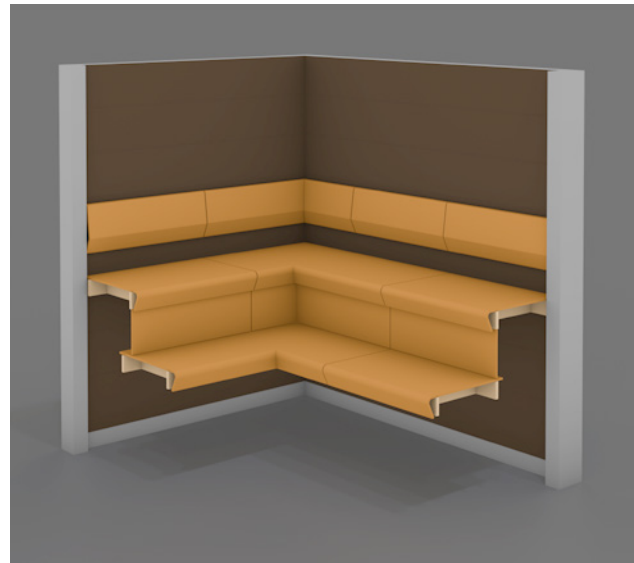
2. Backrest unit 5 x 1603104



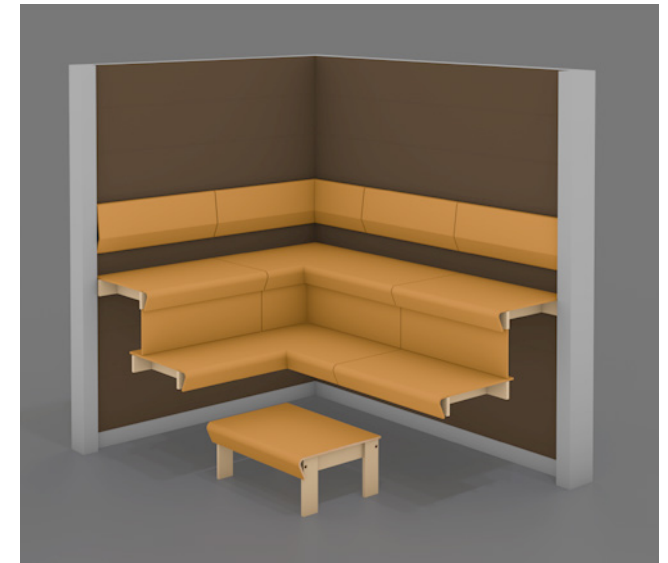
3. Lower bench frame unit 2 x 1603100



4. Bench unit 3 x 1603101 and 1 x 1603102
Cover panel 4 x 1603105



5. Bench unit 2 x 1603101 and 1 x 1603103



6. Sauna step 1 x 1603107



ITEM	DIMENSIONS	CODE
BENCH FRAME UNIT	2200 X 490 mm	1603100
SITTING BENCH UNIT	1100 X 600 mm	1603101
BENCH CORNER UNIT, R	1070 X 600 mm	1603102
BENCH CORNER UNIT, L	1070 X 600 mm	1603103
BACKREST UNIT	1100 X 300 mm	1603104
COVER PANEL	1100 X 270 mm	1603105
WALL PANEL	2400 X 280 X 10 mm	1603106
SAUNA STEP	800 X 500 X 350 mm	1603107
DOOR HANDLE	L. 545 mm	1603108
HEADREST	300 X 300 X 70 mm	1603109

7. Lighting: Behind the backrests and under the benches CARIITTI Sauna Linear LED 2M, 1516661, 6 pcs.
In the ceiling CARIITTI Sauna Linear Glass, 1545844, 3 pcs, and CARIITTI VPAC-1527-F335, 1516702.

Cariitti.

Cariitti Oy
Niittyrinne 2B, FI-02270 Espoo, FINLAND
Tel. +358 9 221 9040, sales@cariitti.com
www.cariitti.com