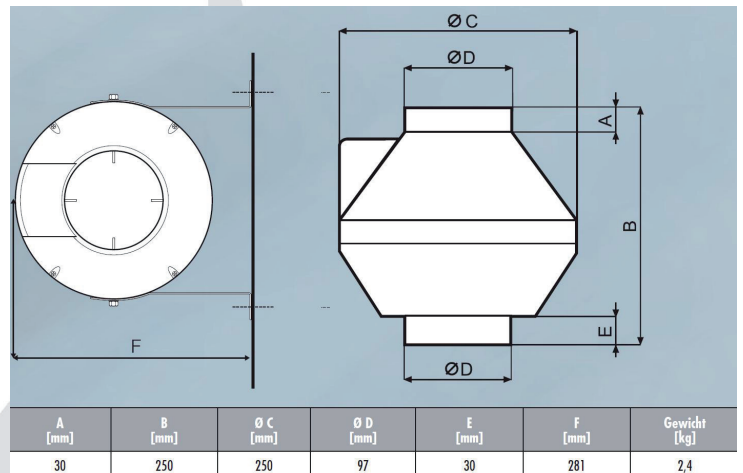
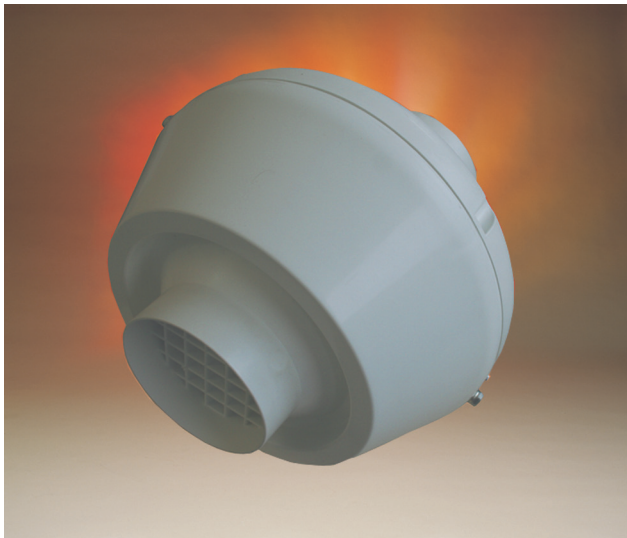


# Supply air fan



## Technical information

voltage	:	220/240 V 50 Hz
power:		65 / 85 W incl. transformer for 5 step operation
ambient temperature:		T50 = max. 50° C
pipe connections:		DN 100
flow		min 150, max. 235m³/h
item code:		20014401