



Technical data sheet

Speakers

16 cm (6.5") speaker for steam rooms

2-way coaxial 80 W speaker in special waterproof construction for installation and use in steam rooms or high humidity environment.

Balanced frequency response, high efficiency and good high-midrange reproduction.

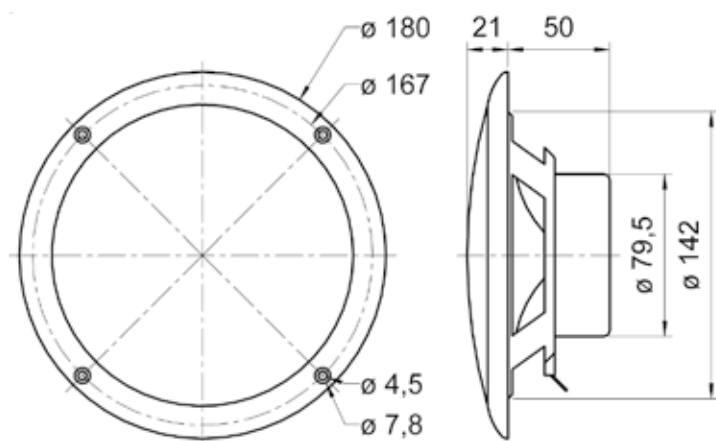
Benefits and advantages:

- Absolutely corrosion-resistant and waterproof
- Powerful clear sound 80 W (100 W peak)
- Easy installation, sealing gaskets included
- 80°C temperature resistant
- Long term weather proved
- Suitable for outdoor applications, salt water resistant
- Protection class IP 65
- Durable plastic housing, UV- and weather-proof.
- Functionality at low temperatures up to -40°C (96 h test)
- Timeless, classic design, round-shape front, white.



CE IP 65

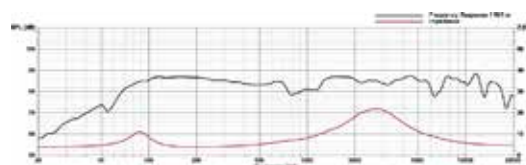
Assembly dimensions



Technical Data

Rated power	80 W
Maximum power	100 W
Impedance	4 Ω
Frequency response (-10 dB)	60 - 20000 Hz
Mean sound pressure level	86 dB (1 W/1 m)
Excursion limit x_{mech}	± 3 mm
Resonant frequency	85 Hz
Height of front pole-plate	4 mm
Voice coil diameter	25 mm Ø
Height of winding	7 mm
Cut-out diameter	142 mm Ø
Net weight	0,46 kg
Art. No.	94 .6196

Frequency response



Directional diagram

