



# EOS FinnRock

## Sauna heater for private and commercial saunas. Floor-standing model.

Exclusive premium class sauna heater with the unique open rock store on the front side. Special construction of the front grill prevents the stones from falling out. Thanks to the flat rear wall with recessed terminal box, FinnRock is a great choice for installations in front of glass panels and in the centre of the sauna.

### Your advantages:

- More surface for intensive, powerful water splashes.
- 40 kg rock store volume ensures high temperature stability and high water evaporation capacity for rich, mellow steam.
- Robust, durable construction - all made of stainless steel.
- Elegant design with scratch-resistant powder coating in anthracite pearl effect.
- Service-friendly construction, replacement of elements without unloading the rocks.
- Made in Germany quality from EOS.

### Specifications:

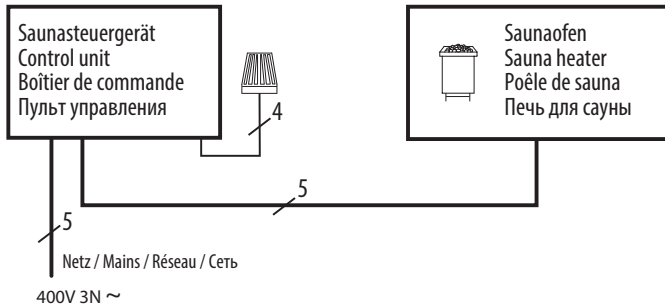
Outer shell:	Stainless steel, with scratch-resistant powder coating in anthracite pearl effect
Inner shell:	Stainless steel
Front:	Special angled frame, stainless steel
Top:	Brushed stainless steel
Rear wall:	Stainless steel, flat design
Rock store:	visible front, above heating elements
Terminal box:	Stainless steel, recessed design
Power output:	7.5, 9.0 and 12.0 kW
Power supply:	400 V 3N ~ 50 Hz
Rock store volume:	approx. 40 kg (Stones optionally available)
Installation:	Floor-standing model



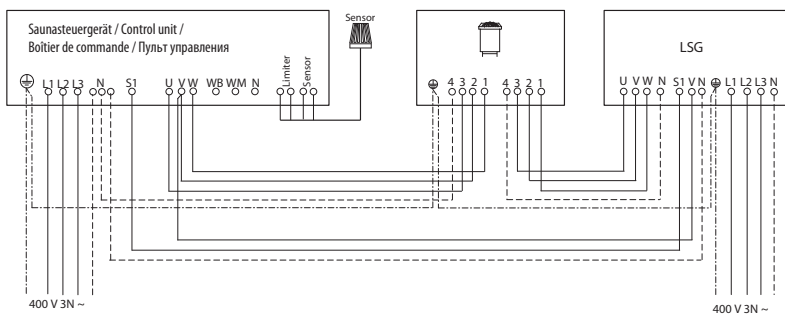
Available in black

## Connection diagram

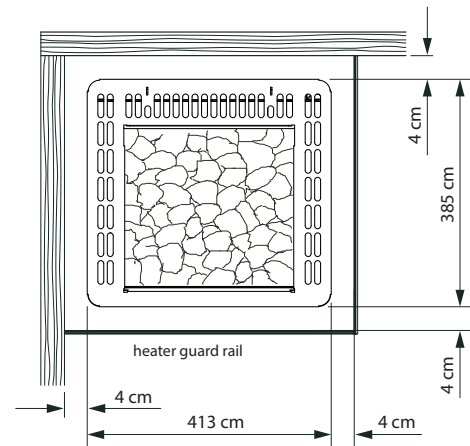
7,5 - 9,0 kW



12,0 kW



## Minimum clearances



## Suitable control units

### Model

EOS Econ D series (D1 up to 9 kW)

EOS Compact D series

EOS EmoTec D series

EOS EmoStyle D / Hi series

EOS EmoTouch 3 series

Above 9 kW a power extension unit is required.

## Technical specifications

Power output	Electrical connection	Connection mains - control unit	Connection control unit - heater	Connection mains - LSG	Connection LSG - heater	Connection control unit - LSG unit
7,5 kW	400 V 3N ~ 50 Hz	5 x 2,5 mm <sup>2</sup>	5 x 1,5 mm <sup>2</sup>	--	--	--
9,0 kW				--	--	--
12,0 kW				5 x 2,5 mm <sup>2</sup>	5 x 1,5 mm <sup>2</sup>	4 x 1,5 mm <sup>2</sup>

All cross sections of a line are minimum diameters in mm<sup>2</sup> (copper wire).

## Spare heating elements

Description	Item no.
7,5 kW (5 x 1500 W 230 V)	2000 8085
9,0 kW (6 x 1500 W 230 V)	2000 8085
12,0 kW (6 x 2000 W 230 V)	2000 8086

Item no.	Power output	Electrical connection	Fuse protection control unit	Fuse protection LSG unit	Dimensions H / W / D, cm	For sauna cabin size	Min. size of air inlet and outlet	Weight without rocks	Stone filling	Power extension necessary
94 5663	7,5 kW	400 V 3N ~ 50 Hz	3 x 16 A	--	76 / 41,3 / 38,5	8 - 12 m <sup>3</sup>	35 x 5 cm	27 kg	approx. 40 kg	no
94 5664	9,0 kW			--		10 - 14 m <sup>3</sup>	35 x 6 cm	no		
94 5719	12 kW			3 x 16 A		14 - 18 m <sup>3</sup>	35 x 7 cm	LSG 10		