



Technical data sheet

EOS Herkules S60

Sauna heater for domestic and commercial saunas. Floor-standing model.

Exclusive sauna heater for the dry Finnish sauna in distinctive straight-lined design with brushed stainless steel front. Up to 60 kg large rock store ensures excellent heat storage capacity and a rich, mellow steam.

Thanks to the optional rear side panel S60 models may be installed in front of glass panels or in the middle of the sauna. Herkules S60 is also available with the integrated vaporizer.

Your advantages:

- Exclusive design with the brushed stainless steel front and anthracite pearl effect coated side panels
- Durable, long-lasting construction, all made of stainless steel
- Also available with elegant matt black finish
- Large 60 kg rock store for optimal heat storage and effective water evaporation
- Compact footprint – only 51 x 53 cm size
- Easy to service, rock store above heating elements
- Made in Germany quality from EOS

Specifications:

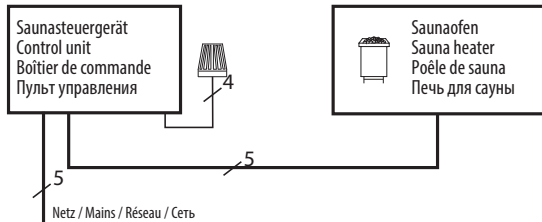
Outer shell:	Stainless steel, anthracite pearl-effect
Front:	Brushed stainless steel, with deco rail made of Abachi wood
Inner shell:	Stainless steel
Rock store:	Stainless steel, above heating elements
Terminal box:	Stainless steel, recessed in rear wall
Power range:	9.0, 12.0 and 15.0 kW
Power supply:	400 V 3N ~ 50 Hz
Dimensions:	85 x 51 x 53 cm
Stone filling:	~60 kg (Sauna stones optional)
Installation:	Floor-standing



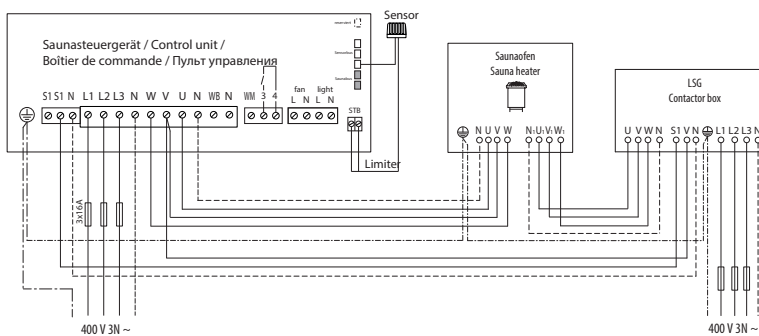
Also available with elegant matt black finish.

Connection diagram

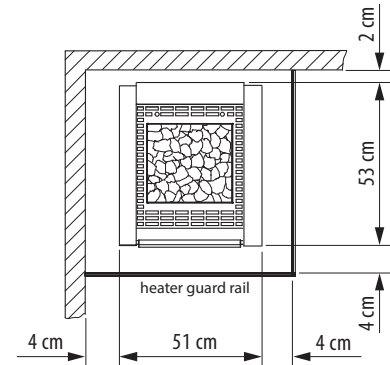
9,0 kW



12,0 - 15,0 kW



Minimum clearances



Minimal inner sauna cabin height 190 cm.

Spare heating elements

Description	Item no.
For 9.0 kW (9 x 1000 W)	2001 1599
For 12.0 kW (9 x 1333 W)	2001 1598
For 15.0 kW (9 x 1666 W)	2001 3763

Suitable control units

Model
EOS Compact D series
EOS EmoTec D series
EOS EmoStyle D / Hi series
EOS EmoTouch 3 series

Technical specifications

Power output	Electrical connection	Fuse protection control unit	Connection mains - control unit	Connection control unit - heater	Connection mains - LSG	Connection LSG - heater	Connection control unit - LSG unit
9,0 kW	400 V 3N ~ 50 Hz	3 x 16 A	5 x 2,5 mm ²	5 x 1,5 mm ²	--	--	--
12,0 kW					5 x 2,5 mm ²	5 x 1,5 mm ²	4 x 1,5 mm ²
15,0 kW					5 x 2,5 mm ²	5 x 1,5 mm ²	4 x 1,5 mm ²

All cross sections of a line are minimum diameters in mm² (copper wire).

Item no.	Exterior	Power output	Fuse protection LSG unit	Dimensions H/W/D, in cm	For sauna cabin size	Min. size of air inlet and outlet	Weight without rocks	Stone filling	Power extension required
94 4493 / 94 7689*	Brushed stainless steel front, anthracite pearleffect coated sides or completely in matt black finish*	9,0 kW	--	85 / 51 / 53	9 - 14 m ³	35 x 6 cm	28 kg	~60 kg	no
94 4472 / 94 7690*		12,0 kW	3 x 16 A		14 - 18 m ³	35 x 7 cm			LSG 10
94 4473 / 94 7691*		15,0 kW	3 x 16 A		18 - 25 m ³	35 x 9 cm			

*matt black finish