



EOS Compact DC

Sauna control unit for dry Finnish sauna operation.

Electronic control unit for dry Finnish sauna operation. Compact series feature a modern, slim design housing with a wide range of functions. Compact DC offers a perfect balance for those looking for an advanced control unit which is still easy and simple to use. Suitable for commercial and private use.

Your advantages:

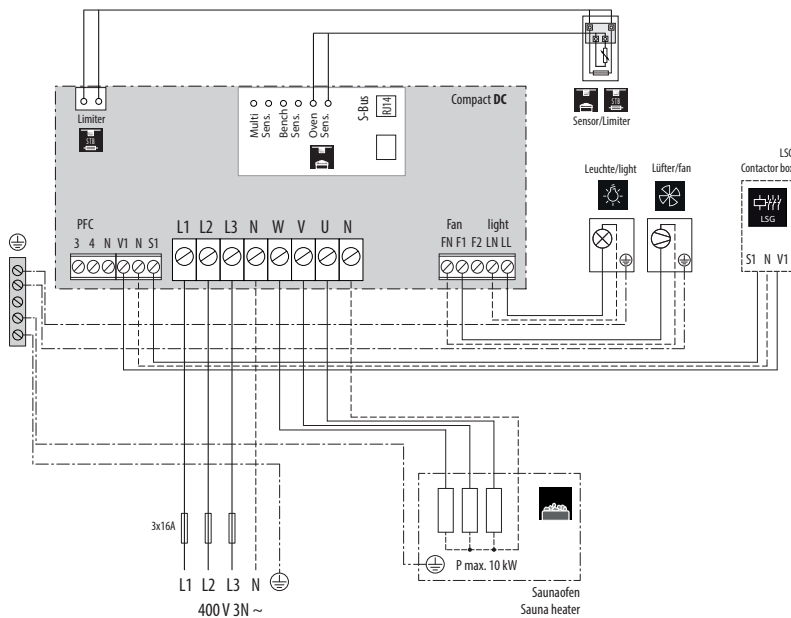
- Large colour 3,5" TFT display
- Modern, slim design housing, only 65 mm depth
- 10 kW switching capacity.
- Easy installation, very simple to use
- 4 user profiles with pre-programmed settings
- Output for light and fan, numerous additional functions
- Support for remote control and other extensions
- Made in Germany - quality by EOS

Specifications and features:

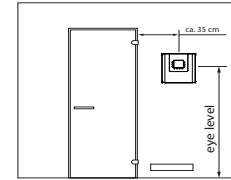
Housing:	Plastic, white or anthracite design
Temperature control:	30 - 115 °C
Heating time limitation:	6 h, 12 h, 18 h or unlimited
Time pre-selection:	yes, up to 24 h
Dimensions (HxWxD):	220 x 255 x 65 mm
Switching capacity:	10 kW, extendable
Light output:	230V 1N ~, dimmable
Fan output:	230V 1N ~, adjustable
Power supply:	400 V 3N ~ 50 Hz
Installation:	Wall-mounting or semi-recessed
Other functions:	Holiday home mode, 4 user profiles, EOSafe support, remote control, Eco / Hot function, error messages and others.



Connection overview

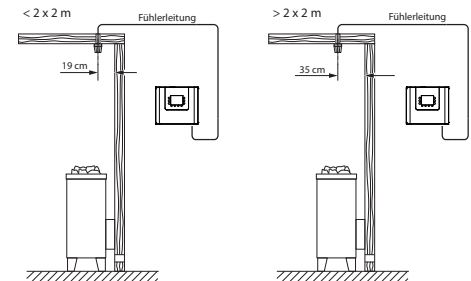


Installation



Sensor installation

For saunas:



Options and extensions

Description	Item no.
Remote start module with push-button SBM-Remote	94 5782
Remote control module for KNX systems SBM-GLT-KNX	94 7078
Remote control module for Modbus systems SBM-GLT-Mod	94 7077
SBM-Hot module for HOT Function (power boost)	94 6800
SBM-Eco module for ECO Function (power save)	94 6980
Extra-long "sauna bus" RJ12 connection cable 25 m	94 4647

Spare parts and accessories

Description	Item no.
Additional high limiter beige	94 7443
Additional high limiter anthracite	94 7444
Temperature sensor beige	94 7437
Temperature sensor anthracite	94 7438
Bench sensor beige	94 7439
Bench sensor anthracite	94 7440

Technical specifications

Item no.	Colour	Electrical connection	Switching capacity	Power extension via LSG unit	Temper. control range	Output for light and fan	Heating time limitation	Dimensions H/W/D in cm	Ambient temperature in operation	Weight without packing
94 7433	anthracite	400 V 3N ~ 50Hz	10 kW, extendable	yes	30 - 115 °C	yes / yes	6 h, 12 h, 18 h, ∞	22 / 25,5 / 6,5	-10 to +40 °C	1,2 kg
94 7429	white									